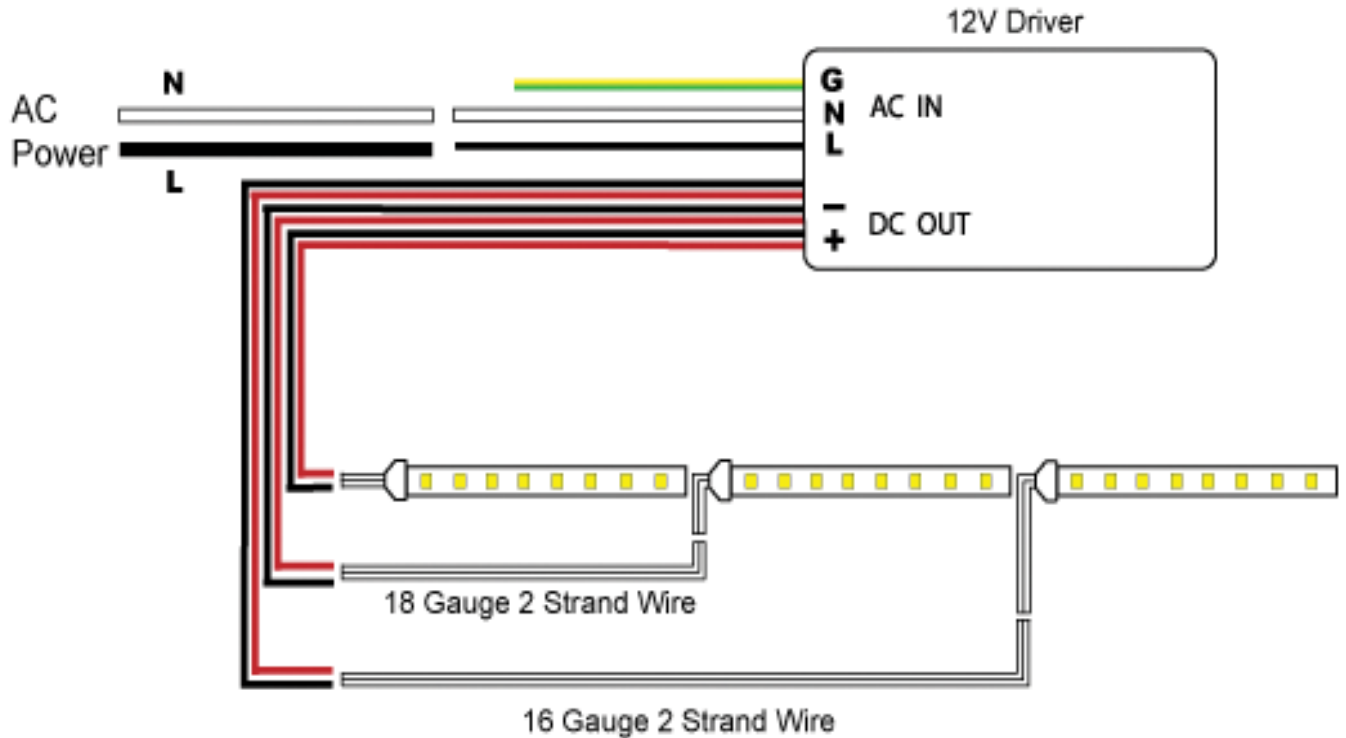


LED ROLL INSTALLATION

RULE NUMBER 1: DC Voltage drop in distance from its power source, In led strip the voltage drop in a range of of 0.3-07VOLT PER 3 LINER FEET s
"Voltage drop" is the gradual diminishing of voltage along the length of the wire as electricity travels away from a power source. Voltage drop happens when a light or appliance is located far from the power source.

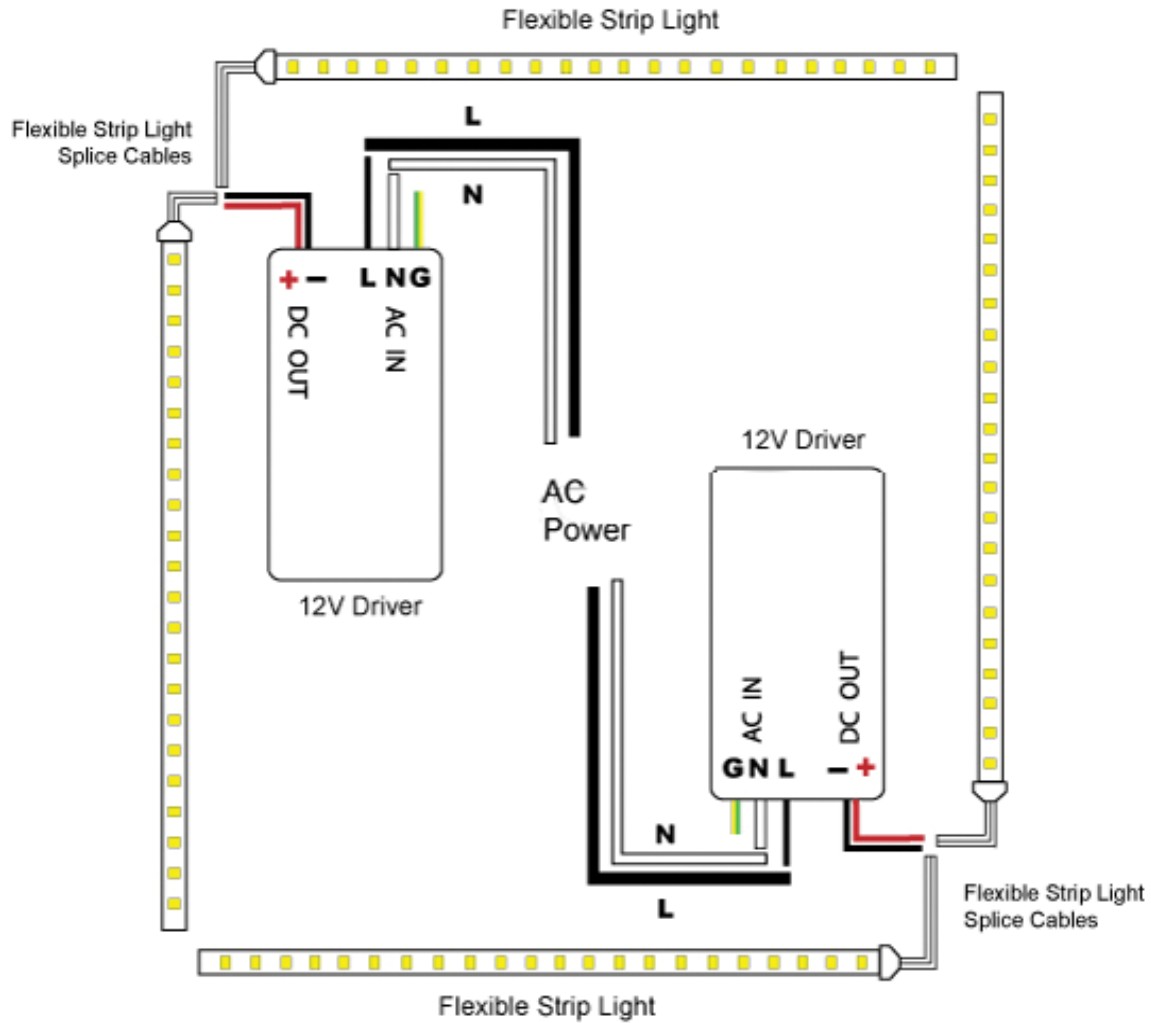
Option #1 (no dimmer OR REMOTE)

An example of how to install LED strip lights in a very long, continuous straight line, as you would in a hallway or along a large wall. This type of installation is called a parallel run.



Option #2 (no dimmer OR REMOTE)

An example of how to install LED strip lights in a large room. Note the two ways of powering multiple sections of strip with one source: 1) Placing the power source in the middle of two runs, with runs going in opposite directions) Placing the power sources at opposite ends of the two sections so that the runs join seamlessly in a corner.



Option #3 (REMOTE DIMMER RGB ROLLS)

An example of how to install LED strip lights in a large room. With multi color led / or with a single color led with dimmer controlled. Note that there is an amplifier to transmit the prior roll color or dimmer status. Each roll get from the amplifier a new power source at 12 volts. Installer must confirm 12 volt input in. and consider any drop of voltage.

